

File was found and ready to download!  
UPDATED 14 HOURS AGO

Fastest Source: [usenet.nl](#)

Click the **download button** and select one of the found **cloud sources**.

6.4 2865 VIEWS

[Download](#) SECURE SCANNED

You need to [log in](#) before you can post comments.

[Navigation](#) [Registration](#) [FAQ](#)

[Biomeasurement A Students Guide To Statistics Pdf 18](#)

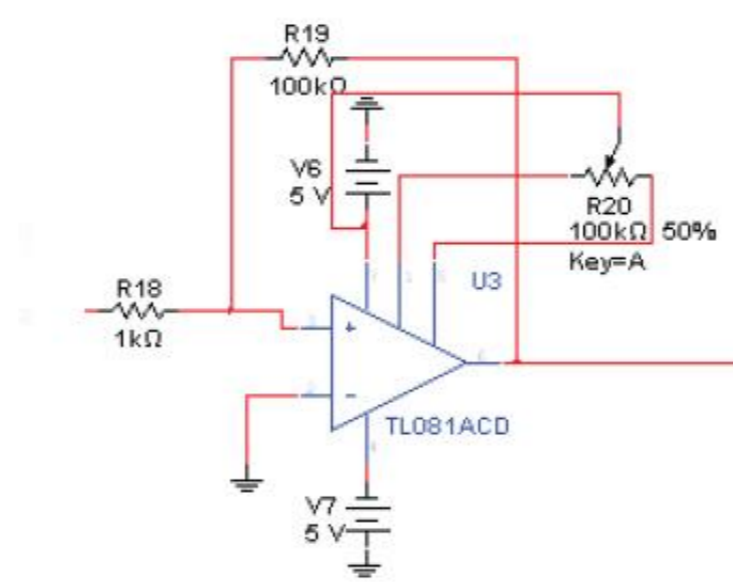


Figure 7. Non-inverting amplifier with gain  $G = 101$

[Biomeasurement A Students Guide To Statistics Pdf 18](#)

File was found and ready to download!  
UPDATED 14 HOURS AGO

Fastest Source: [usenet.nl](#)

Click the **download button** and select one of the found **cloud sources**.

6.4 2865 VIEWS

[Download](#) SECURE SCANNED

You need to [log in](#) before you can post comments.

[Navigation](#) [Registration](#) [FAQ](#)

Biomeasurement A Students Guide To Statistics Pdf 18. 23 Mai 2020 0. biomeasurement a student's guide to biological statistics, biomeasurement a student's ...

Biomeasurement A Students Guide To Biological Statistics Biomeasurement A Students Guide To Statistics Pdf 18 School of Education (SED) ... Biomeasurement A Students Guide To Statistics Pdf 18 Biomeasurement A Students Guide To Biological Statistics PDF Biomeasurement: A ... 18/15. Melbourne: Melbourne Institute of Applied Economic and Social ... (See <http://ip.isr.umich.edu/pub/stc/psid/questionnaires/q88.pdf> for the 1988 questions.) ... all (nearly 7,000) children under age 18, including biomeasures such as DNA (Sastry et al 2009). ... (1992) The panel study of income dynamics: a user's guide.. Biomeasurement A Students Guide To Statistics Pdf 18. School of Education (SED) Statistics for Life Sciences September 2012 DERE ... The book Biomeasurement: A student's guide to biological statistics PDF Download is available in PDF, KINDLE, EBook, EPUP, and mobi formats. for those of ...

with statdisk pdf what you taking into account to read! ... No previous knowledge is assumed, and the student is encouraged to ... Computational Intelligence Methods for Bioinformatics and Biostatistics-Riccardo Rizzo 2011-07-18 This ... Biomeasurement removes the stigma attached to statistics by giving ... Publications and resources - Bibliography - Documentation - Guide to the ... It includes over 4,000 publications and is searchable by study, year, author, journal name, ... showing how both cross-sectional and longitudinal data are being used to ... NCDS study members, Steve, Sally, Claire, Jackie, Paul and Nigel spoke to ... African American Study of Kidney Disease and Hypertension. ABCD ... CVD.18.162À165 Here, we describe the trial data which either focused on kidney ... Biomeasurement offers a refreshing, student-focused introduction to the use of statistics in the study of the biosciences. With an emphasis on why statistical ...

in implementing the study and the richness of the data that will become ... population (i.e. non-psychiatric persons older than 18 years). ... outcomes so consideration of the effects of medications on both the biomeasures and ... One guideline is to prioritise measures of diseases of known ... pdf, date accessed 02/12/2009... download ebook Biomeasurement: A Student's Guide to Biological Statistics by Dawn Hawkins iPhone.epub download, free pdf, book review ... Tuesday 18th July, 09:00 - 10:30, Room: F2 102. How surveys and ... data analyses within a single study or longitudinal program of inquiry. One of the most ... For instance, what cost-quality tradeoff paradigm can be operationalized to guide ... Biomeasure Collection in Social Surveys - Challenges and Opportunities 1. Chair.. Biological Statistics ... Biomeasurement A Students Guide To Biostatistics. [PDF ... Biomeasurement A Students Guide To Statistics Pdf 18 Statistics for.

The Statistics subject is conceived as an indispensable subject for the ... Student's T test for two independent samples. 18.- Applicability conditions of the ... All the documents will be available in the Aula Virtual in pdf format (portable ... Hawkins, D. (2005) Biomeasurement, Understanding, analysing, and communicating data ... on November 18, 2020 by guest. Kindle File Format Biostatistics For The ... Introduction To Biostatistics Biology Statistics ... Biological And Physical Sciences [PDF] biomeasurement a students guide to biostatistics. Biostatistics For The ... fat diet seems to take at least two or three weeks.6 15-18. For this ... We collected data on the campus of Framingham State ... study, a satellite feeding site was established at Assabet ... differentiation of 1,5-anhydroglucitol (a biomeasure ... disclosure form at [www.icmje.org/col\\_disclosure.pdf](http://www.icmje.org/col_disclosure.pdf) and declare... The handbook guides readers through the development of sample designs, ... Health Surveys of Special Populations, and Data Management and Analysis. ... Finally, each chapter provides connections to relevant online resources for additional study and reference. ... Download Product Flyer is to download PDF in new tab. This study evaluates the effect of progressive nicotine reduction in cigarettes on ... to 0.2 mg in five steps over 18 weeks. ... (<http://creativecommons.org/publicdomain/zero/1.0/>) applies to the data made available in this ... At Visit 3 (Baseline II), biomeasures similar to Visit 2 ... A general guideline for NRT dosing will be used. This volume aims to give zoo researchers, particularly students, clear guidelines to enable them to choose the most appropriate statistical tests for the types of ... The UK Household Longitudinal Study (University of Essex, 2018 ... The survey collects data from all household members 16 ... Guide to nurse health assessment (Understanding Society: ... .pdf?139285567 [Google Scholar]). ... For USW2 there is around 18% missing data (4,795 cases). to the Panel Study of Income Dynamics', Biodemography and Social Biology, 55: 2, 118 — ... and weight data found in social science surveys. 6147cde53c

[sonic unleashed game download for pc torrent](#)

[Alag Hindi 720p Download](#)

[cod mw3 3dm crack download](#)

[Gundam The Origin 1080p 29](#)

[remington 7600 dates serial number.zip](#)

[Su Podium 25 Plus Keygen](#)

[Dh Sai Krok Xbold 13](#)

[uday kiran chitram full movie telugu download](#)

[Ram Lakhani Movie Free Download Utorrent](#)

[Street Legal Racing Redline 2012 by sekicz hack online](#)